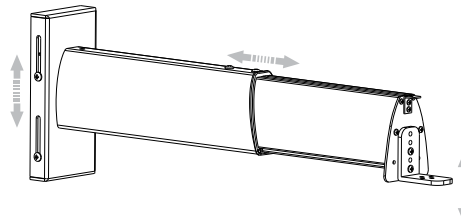
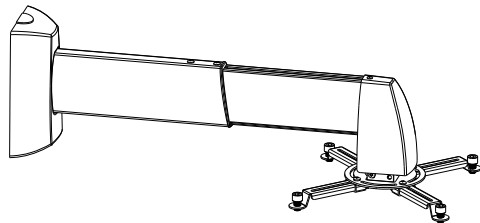
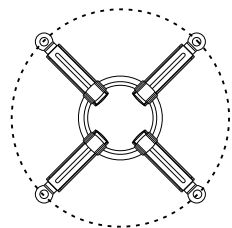
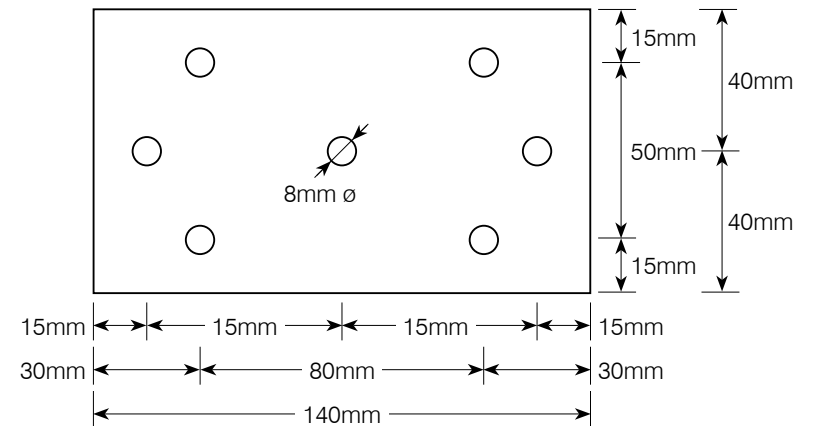


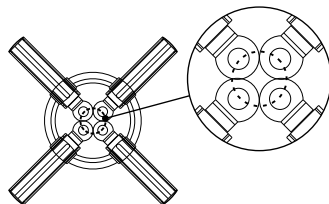
Specification for GV Adjustable Short Throw Mount



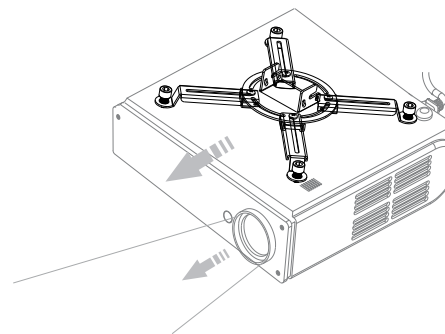
Wall Mount Bracket



Maximum diameter: 310mm



Minimum diameter: 40mm



Features:

- A clean and sleek look
- Suits most short throw projectors
- Projectors up to 15kg
- Extends to a max distance of 1500mm
- Vertical Tilt angle up to ± 15 degrees
- M3, M4, M5 & M6 mounting bolts provided
- Adjustable height - up to 45mm

Product Code

GRN1S1500

Colour

Silver

Height (mm)

900 - 1500

Maximum Projector Weight (kg)

15

Shipping Size l x w x h (mm)

800 x 240 x 85